



(51) International Patent Classification:

Not classified

(21) International Application Number:

PCT/IB2022/057842

(22) International Filing Date:

22 August 2022 (22.08.2022)

(25) Filing Language:

English

(26) Publication Language:

English

(72) Inventors; and

(71) Applicants: **BASIRI, Salar** [IR/IR]; No 303 (South East Suite) - 3rd Floor - Denay2 Building - After Mihandoost Allay - Near to Beryanak St - North to South Slow Lane - Navvab Highway, Tehran, 1355797193 (IR). **SALAR BEHRESTAGHI, Hossein** [IR/IR]; Floor3, No.32, Orkide building, Resalat24 ave., Resalat street, Amol, Mazandaran Province, Iran, Amol, 4615736572 (IR).

(81) Designated States (unless otherwise indicated, for every

kind of national protection available): AE, AG, AL, AM, AO, AT, AU, AZ, BA, BB, BG, BH, BN, BR, BW, BY, BZ,

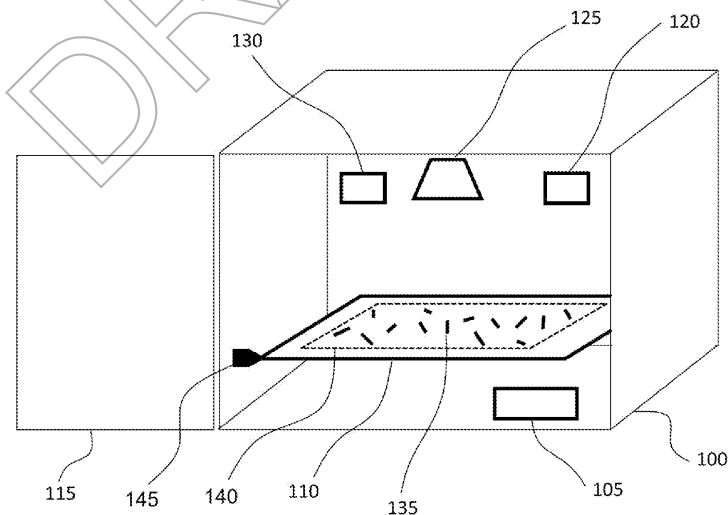
CA, CH, CL, CN, CO, CR, CU, CV, CZ, DE, DJ, DK, DM, DO, DZ, EC, EE, EG, ES, FI, GB, GD, GE, GH, GM, GT, HN, HR, HU, ID, IL, IN, IQ, IR, IS, IT, JM, JO, JP, KE, KG, KH, KN, KP, KR, KW, KZ, LA, LC, LK, LR, LS, LU, LY, MA, MD, ME, MG, MK, MN, MW, MX, MY, MZ, NA, NG, NI, NO, NZ, OM, PA, PE, PG, PH, PL, PT, QA, RO, RS, RU, RW, SA, SC, SD, SE, SG, SK, SL, ST, SV, SY, TH, TJ, TM, TN, TR, TT, TZ, UA, UG, US, UZ, VC, VN, WS, ZA, ZM, ZW.

(84) Designated States (unless otherwise indicated, for every

kind of regional protection available): ARIPO (BW, GH, GM, KE, LR, LS, MW, MZ, NA, RW, SD, SL, ST, SZ, TZ, UG, ZM, ZW), Eurasian (AM, AZ, BY, KG, KZ, RU, TJ, TM), European (AL, AT, BE, BG, CH, CY, CZ, DE, DK, EE, ES, FI, FR, GB, GR, HR, HU, IE, IS, IT, LT, LU, LV, MC, MK, MT, NL, NO, PL, PT, RO, RS, SE, SI, SK, SM, TR), OAPI (BF, BJ, CF, CG, CI, CM, GA, GN, GQ, GW, KM, ML, MR, NE, SN, TD, TG).

(54) Title: A METHOD AND APPARATUS FOR GRAIN ANALYSIS

[Fig. 1]



(57) Abstract: The present disclosure generally relates to grain analysis method and apparatus and more particularly provides a novel image processing based invention which uses a display as background of grains and so capability to perform complicated closed loop image processing algorithms has been provided. The invention uses the display to show predefined patterns and colors on the background of grain depending on type, shape and color of desired grain.





---

**Declarations under Rule 4.17:**

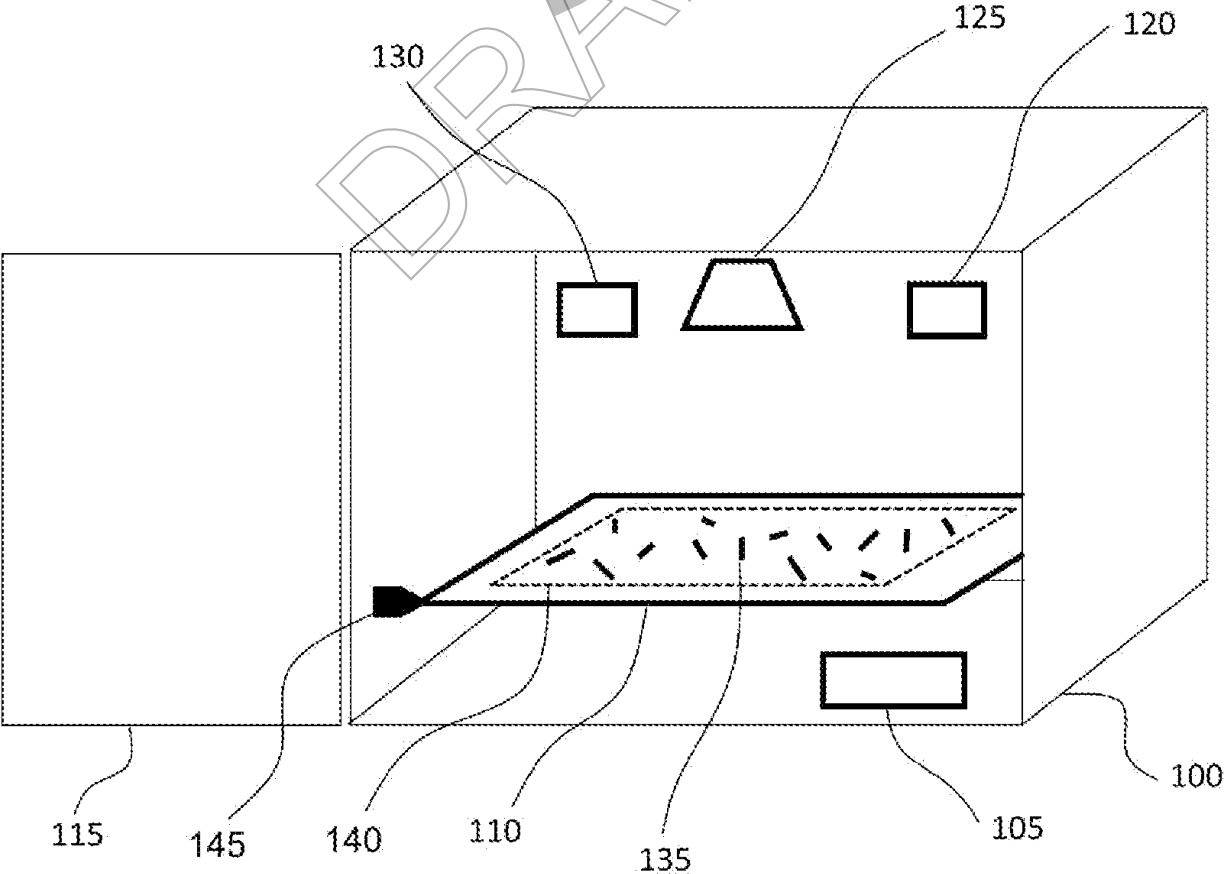
- *as to the identity of the inventor (Rule 4.17(i))*
- *as to applicant's entitlement to apply for and be granted a patent (Rule 4.17(ii))*
- *of inventorship (Rule 4.17(iv))*

**Published:**

- *without international search report and to be republished upon receipt of that report (Rule 48.2(g))*

DRAFT

[Fig. 1]



[Fig. 1]

